



Billing and Bandwidth Management Solution



## QUICK START GUIDE

### SMS 25i Appliance

## 1 DEFAULTS

The sales packet of 24online includes following list of contents. Check the complete package content and if any item(s) from the package is/are missing, please contact 24online support at support@24onlinebilling.com

### Default Port and IP Address

Interface	IP Address	Port
Eth0	172.16.16.16/255.255.255.0	A
Eth1	192.168.2.1/255.255.240.0	B
Eth2	10.10.2.1/255.255.255.0	C
Eth3	10.10.3.1/255.255.255.0	D

### Package Contents

The complete package should include following contents as given below:

- One 24online appliance
- One console cable (Null-model cable)
- One straight-through Ethernet cable
- One AC adapter cable
- One 24online quick start guide

### Default Username & Password

Web Admin Console	
Username	administrator
Password	administrator

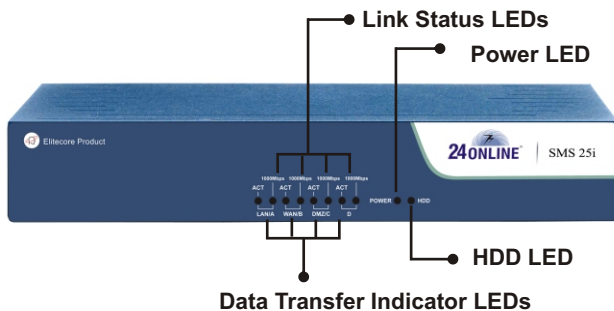
Telnet Console (Serial Connection)	
Password	admin



*\*Note Username and password are case sensitive*

## 2 UNDERSTANDING THE APPLIANCE

### ► FRONT PANEL

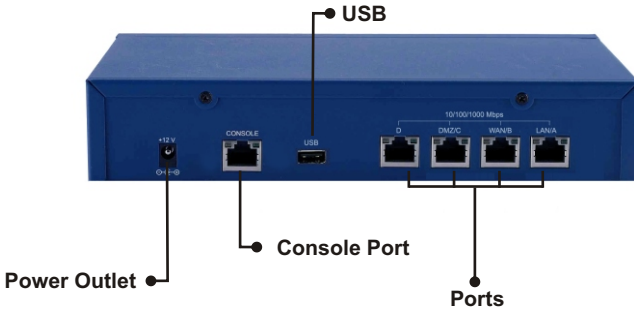


**Console Port** - Use to connect the management computer

**USB port** - Provided for future use

**Ports A, B, C, and D** - Use these ports to connect the appliance to the Ethernet network

## ► BACK PANEL



- Crossover Ethernet cable connects to management computer
- Straight-through Ethernet cable connects to LAN through hub or switch

Usage of ports depends on how the physical connection is required or planned, it is not necessary to use any particular port for WAN/LAN.

## 3 CONFIGURING 24ONLINE

Once the system is booted, connect the console cable to the appliance. The console screen will prompt for the password. Enter the default password 'admin', and proceed with network configuration and GUI operations.

### Step 1

Process automatically detects and displays the current Ethernet configuration of Internal interface. Change the IP address, Net Mask and Net Type as required.

```
24online Version 2.2.3.0.2
24online Server has not been configured...
Please follow the steps to configure your 24online Server

Network Configuration of Ethernet: eth0
Current IP address : 192.16.16.16
New IP address :
IP Address not changed for eth0
Current Netmask : 255.255.255.0
New Netmask : 255.255.255.0 (Enter) >
Net Type : internal (I)
New Net Type(I/e) : (I) (Enter) >
Set Alias for Ethernet eth0 (y/n) : No (Enter) >
```

### Step 2

Process automatically detects and displays the current Ethernet configuration of external interface. Change IP address, subnet mask and net type as required. To set aliases for external interface i.e. eth5, enter 'y'.

```
Network Configuration of Ethernet: eth1
Current IP address : 192.168.2.1
New IP address :
IP Address not changed for eth1
Current Netmask : 255.255.240.0
New Netmask : 255.255.255.0 (Enter) >
Net Type : external (e)
New Net Type(I/e) : (e) (Enter) >
Set Alias for Ethernet eth1 (y/n) : No (Enter) >
```

### Step 3

Specify the name of the gateway and assign IP address

```
Default Gateway is not set

Please Enter Default Gateway Name: DefaultGateway (Enter) >
Assign IP Address of Default Gateway : > _
```

### Step 4

Update time zone and current date, if not properly set.



```
Set Date (y/n) : No (Enter) > y
Setting New Date :
Enter Month (01,02,...,12): 06 (Enter) > 06
Enter Day (01,02,...,31): 02 (Enter) > 02
Enter Year (2000,2001,...): 2008 (Enter) > 2008
Enter Hour (00,01,...,23): 10 (Enter) > 10
Enter Minute (00,01,...,59): 10 (Enter) > 10
```

### Step 5

Enter the correct email address of the administrator, which will be used to send all 24online system alerts.

```
24online Server will send System Alerts on Following email address

Enter Administrator Email ID: >
```

### Step 6

On successful configuration, the system will display all the details as configured. Press <Enter> to confirm and proceed with registration of 24online.

## 4

## REGISTRATION OF 24ONLINE

**Pre-requisite** - It is mandatory to enable SSL 1.0, SSL 2.0 & SSL 3.0 for customers using IE 7.0 version or above. Select Tools - Internet Options - Advanced options in IE and select the SSL check-box.

After the completion of configuration process, you need to fill in the 24online registration form. Open an internet explorer web browser and type the following URL:

http://<Internal IP Address>



Use default user name '**administrator**' and password '**administrator**' to login.

For detailed information on different interface and ports:

Select **System Management** → **Network** → **Interface Configuration**

## View Interface Details

Logout Help 24online

	Port	Interface	IP Address	Netmask	Interface Type
	A	eth0	172.16.16.16	255.255.255.0	Internal Interface
	B	eth1	192.168.2.1	255.255.240.0	External Interface
	C	eth2	10.10.2.1	255.255.255.0	Internal Interface
	D	eth3	10.10.3.1	255.255.255.0	Internal Interface

*Note: For external connectivity, you can configure DNS and Gateway information using System Management Network*

24online Registration Form	
Public key	8Q4D4WT1MZLPCCPCLPC
Product ID*	<input type="text"/>
Unique ID*	<input type="text"/>
Company Name*	<input type="text"/>
Contact Person*	<input type="text"/>
Address*	<input type="text"/>
	<input type="text"/>
City*	<input type="text"/>
State*	<input type="text"/>
Country*	<input type="text"/>
Zip*	<input type="text"/>
Phone*	<input type="text"/>
Email ID*	<input type="text"/>
Fax	<input type="text"/>
<b>External Proxy Server Information</b>	
<div style="text-align: right;"> <input type="button" value="Register"/> <input type="button" value="Cancel"/> </div>	

### Online Demo Registration

Screen Elements	Description
Public Key	Displays public key of your machine.
Product ID	Specify the product ID specified in the 24online email.
Unique ID	Specify the unique ID specified in the 24online email.
Company Name	Specify name of the company, under which the appliance is to be registered.
Contact Person	Specify name of the contact person.
Address, City, State, Country, Zip	Specify complete company address and zip details
Email ID	Specify the email address of the company.
Fax	Specify the fax number of the company
Register	Select the button to register 24online appliance
Cancel	Select the button to cancel the current operation.

\*Note If your system is not connected to the internet, use manual registration method. For detailed information, refer to Manual Registration in user guide.

After successful registration, 24online will display the 'About' page with the registration details.



**Congratulations!!!** This finishes the registration process, now you can use the appliance.

## 5 WHAT NEXT?

1. For administrator, after completing 24online registration process, you are recommended to change the default password of GUI and text based console. For detailed information, please refer to Console guide and User guide.
2. Please make sure whether the firewall rule for your Domain Name Server (DNS) is properly defined or system won't be able to connect Internet.
3. Using GUI administrator can configure 24online into NAS or RADIUS or NAS & RADIUS.
4. Create package, policies or user as per your requirement.
5. In-order to enhance the basic 24online setup, with additional features and modules, go to Help Register 24online Module License. Click on the module name and specify the necessary information for registration.

## IMPORTANT NOTICE

Information supplied by Elitecore is believed to be accurate and reliable at the time of printing but is presented without warranty of any kind expressed or implied. Users must take full responsibility for their application of any products. Elitecore assumes no responsibility for any errors that may appear in this document. Elitecore reserves the right, without notice to make changes in product design or specifications. Information is subject to change without notice.

## SOFTWARE LICENSE

The software described in this document is furnished under the terms of Elitecore's software license agreement. Please read these terms and conditions carefully before using the software. By using this software, you agree to be bound by the terms and conditions of this license. If you do not agree with the terms of this license, promptly return the unused software and manual (with proof of payment) to the place of purchase for a full refund

## LIMITED WARRANTY

Software: Elitecore warrants for a period of ninety (90) days from the date of shipment from Elitecore: (1) the media on which the Software is furnished will be free of defects in materials and workmanship under normal use; and (2) the Software substantially conforms to its published specifications Except for the foregoing, the software is provided AS IS. This limited warranty extends only to the customer as the original licenses. Customers exclusive remedy and the entire liability of Elitecore and its suppliers under this warranty will be, at Elitecore or its service center's option, repair, replacement, or refund of the software if reported (or, upon, request, returned) to the party supplying the software to the customer. In no event does Elitecore warrant that the Software is error free, or that the customer will be able to operate the software without problems or interruptions.

## DISCLAIMER OF WARRANTY

Except as specified in this warranty, all expressed or implied conditions, representations, and warranties including, without limitation, any implied warranty or merchantability, fitness for a particular purpose, non-infringement or arising from a course of dealing, usage, or trade practice, and hereby excluded to the extent allowed by applicable law. In no event will Elitecore or its supplier be liable for any lost revenue, profit, or data, or for special, indirect, consequential, incidental, or punitive damages however caused and regardless of the theory of liability arising out of the use of or inability to use the product even if Elitecore or its suppliers have been advised of the possibility of such damages. In a event shall Elitecore's or its suppliers liability to the customer, whether in contract, tort (including negligence) or otherwise, exceed the price paid by the customer. The foregoing limitations shall apply even if the above stated warranty fails of its essential purpose. In no event shall Elitecore or its supplier be liable for any indirect, special, consequential, or incidental damages, including, without limitation, lost profits or loss or damage to data arising out of the use or inability to use this manual, even if Elitecore or its suppliers have been advised of the possibility of such damages.

## RESTRICTED RIGHTS

Copyright 2000 Elitecore Technologies Ltd. All rights reserved. 24online-Internet on Cable, 24online-Internet on Cable logo are trademark of Elitecore Technologies Ltd. Information supplied by Elitecore Technologies Ltd. Is believed to be accurate and reliable at the time of printing, but Elitecore Technologies assumes no responsibility for any errors that may appear in this documents. Elitecore Technologies reserves the right, without notice, to make changes in product design or specifications. Information is subject to change without notice.

Copyrights Elitecore Technologies Ltd.

---

## Corporate Headquarters

Elitecore Technologies Ltd.  
904, Silicon Tower  
Off C. G. Road  
Ahmedabad 380015  
Gujarat, India.  
Phone: +91-79-66065606  
Fax: +91-79-26407640  
Web site: [www.elitecore.com](http://www.elitecore.com)

## Technical Support

Please feel free to contact us for any of your query, comments, or requests concerning the software you purchased, your registration status, or similar issues to Customer Care/Service department at the following address:

Email: [support@24onlinebilling.com](mailto:support@24onlinebilling.com)  
Web site: [www.24onlinebilling.com](http://www.24onlinebilling.com)

Visit [www.24onlinebilling.com](http://www.24onlinebilling.com) for the regional and latest contact information.

---

**Visit:** <http://24onlinebilling.com>  
**Contact:** [sales@24onlinebilling.com](mailto:sales@24onlinebilling.com)

## 24online support contact:

**Technical support (Corporate Office):** +91- 79- 66065777  
**USA (Toll free number):** 1800 301 00013  
**Customer Support Email:** [support@24onlinebilling.com](mailto:support@24onlinebilling.com)

